

SCHÉMA MONTÁŽE PODOMÍTKOVÉ SPRCHOVÉ BATERIE

Mounting schema for built-in mixers

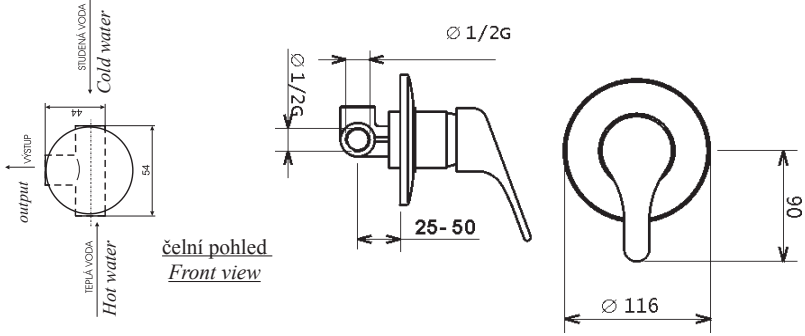
Baterie musí být instalována ve znázorněné poloze.

The mixer must be installed in the same position as demonstrated in the picture.

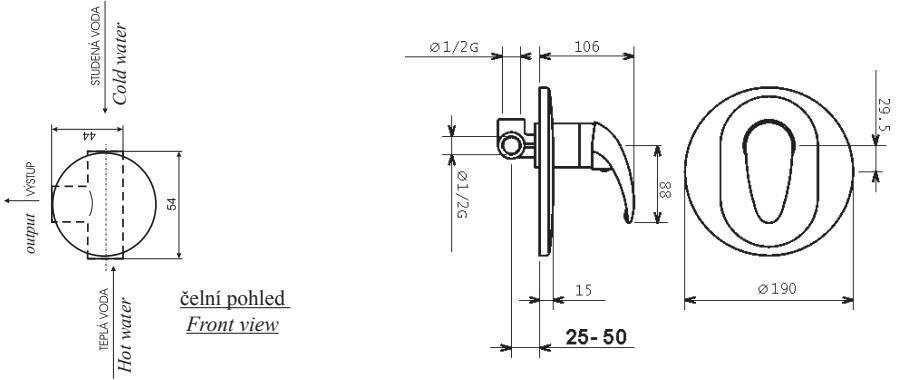
Prívod teplé vody vlevo, studené vpravo.

The hot-water inlet is situated on the left hand side, the cold-water inlet on the right hand side.

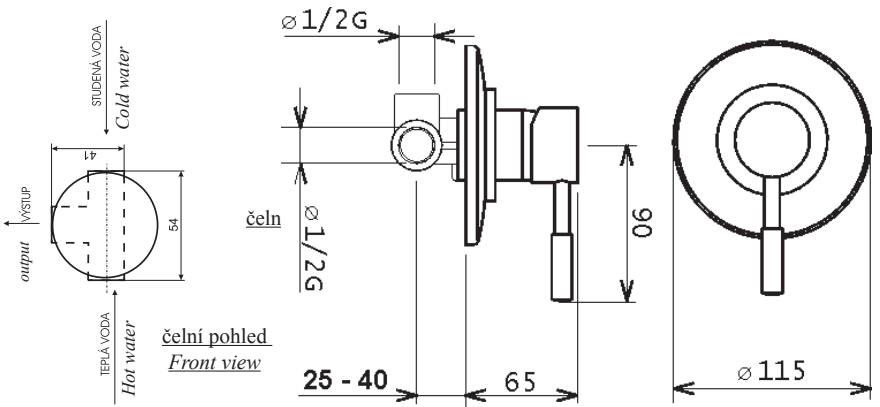
Pro typy(For types:): 3050, 13050, 56050, 91050



Pro typy: (For types:): 7050, 8850, 10050



Pro typy: (For types:): 12050, 16050, 17050, 19050



Pro typy: (For types:): 55050, 57050

